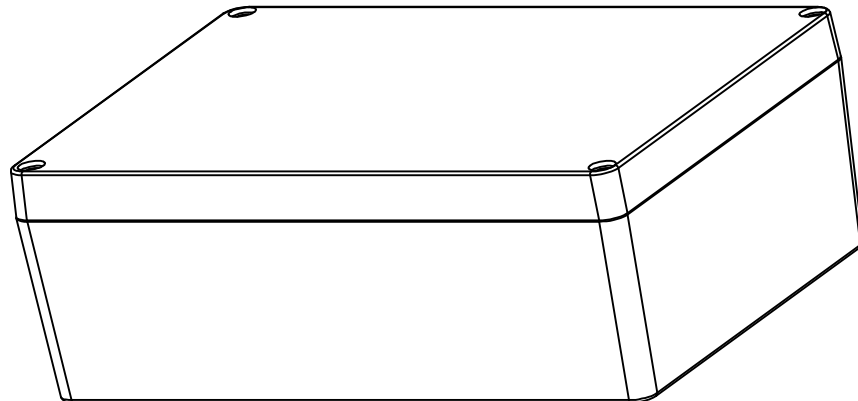
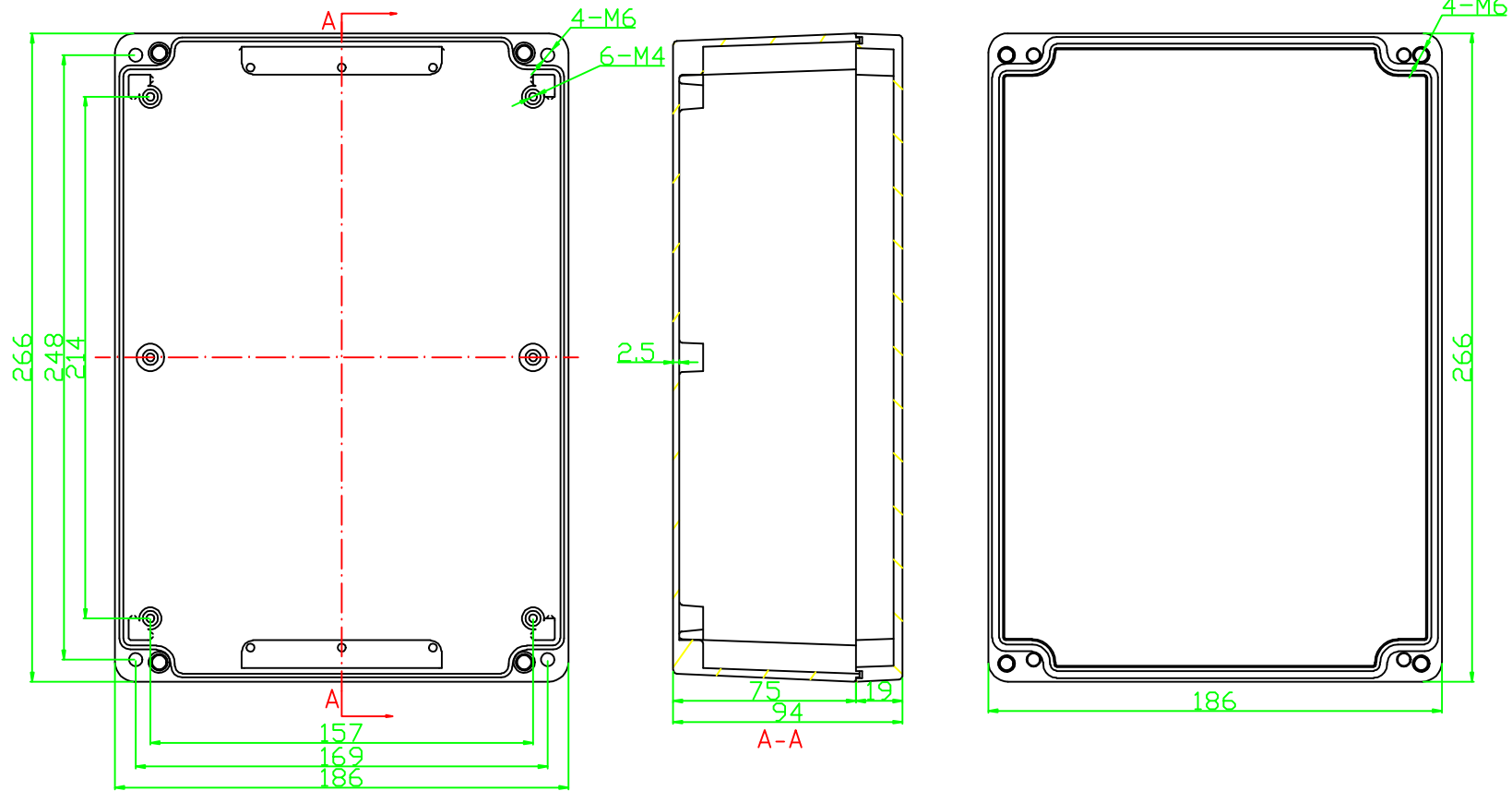


REVISION RECORD				
REV	ECD	DESCRIPTION	DRFT	CHKD



← MM (INCH) → TOLERANCES EXCEPT AS NOTED:		DRAWN: Kelvin CHECKED:	NAME: Kelvin DATE: 03/23/2015	 埃弗勒斯 EVEREST WWW.EVERESTCASE.COM	TITLE:	
MM .0 ± 0.3 ± .00 ± 0.2 ± .000 ± 0.1 ±	± ± ±	ENG APPR:	MATERIAL: AL		AW035	
ANGLES ± 5°		QTY:		DRAWING NO. AW035	SIZE: A4	REV:
 FIRST ANGLE PROJECTION		FINISH:		/PART NO. 00	DO NOT SCALE DRAWING	SHEET 1 OF 1