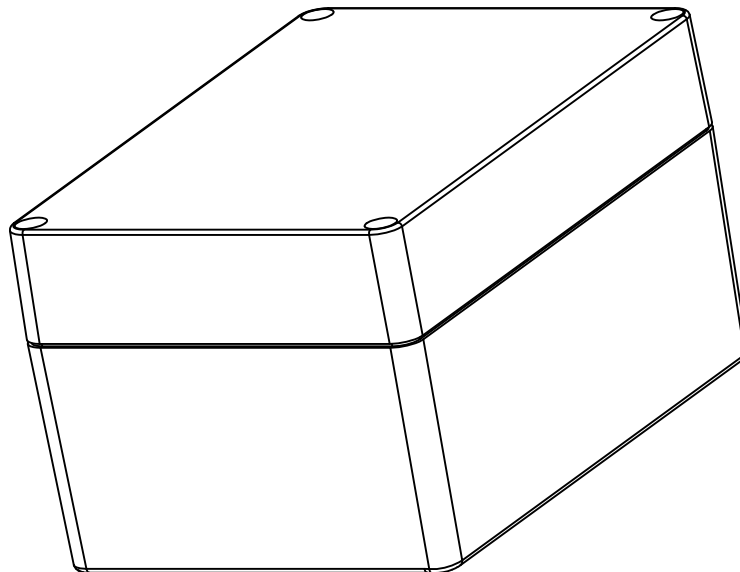
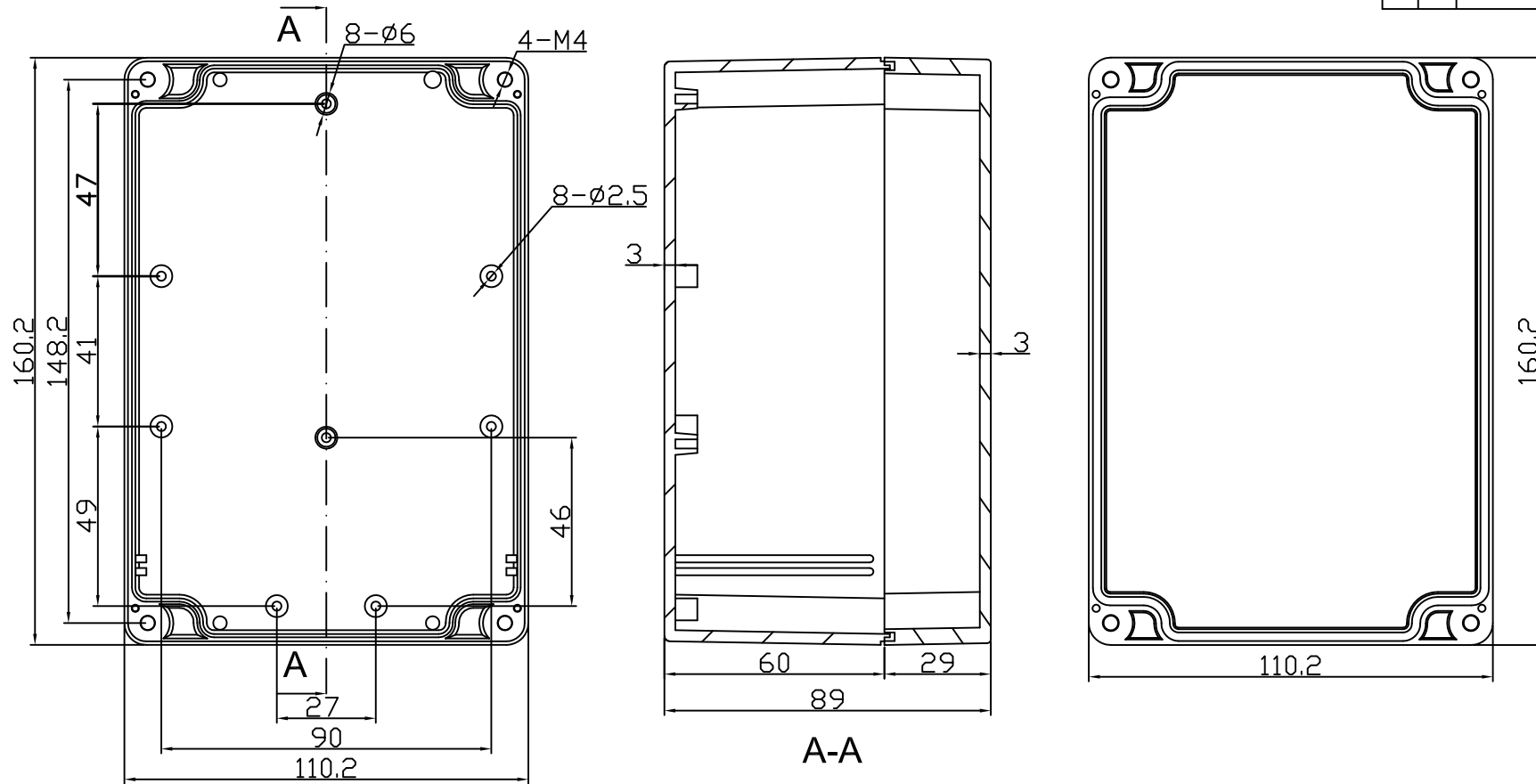


REVISION RECORD				
REV	ECD	DESCRIPTION	DRFT	CHKD



		DRAWN	NAME	DATE		EVEREST WWW.EVERESTCASE.COM	
TOLERANCES EXCEPT AS NOTED MM .0 ± 0.3 ± .00 ± 0.2 ± .000 ± 0.1 ±		CHECKED	Kelvin	01/20/2015			
ANGLES ± 5°		ENG APPR.	MATERIAL : ABS		TITLE		
		QT'Y :		DRAWING NO. PW029			SIZE
FIRST ANGLE PROJECTION		FINISH:		/PART NO. 00			REV
SCALE : 1:1		DO NOT SCALE DRAWING			SHEET 1 OF 1		