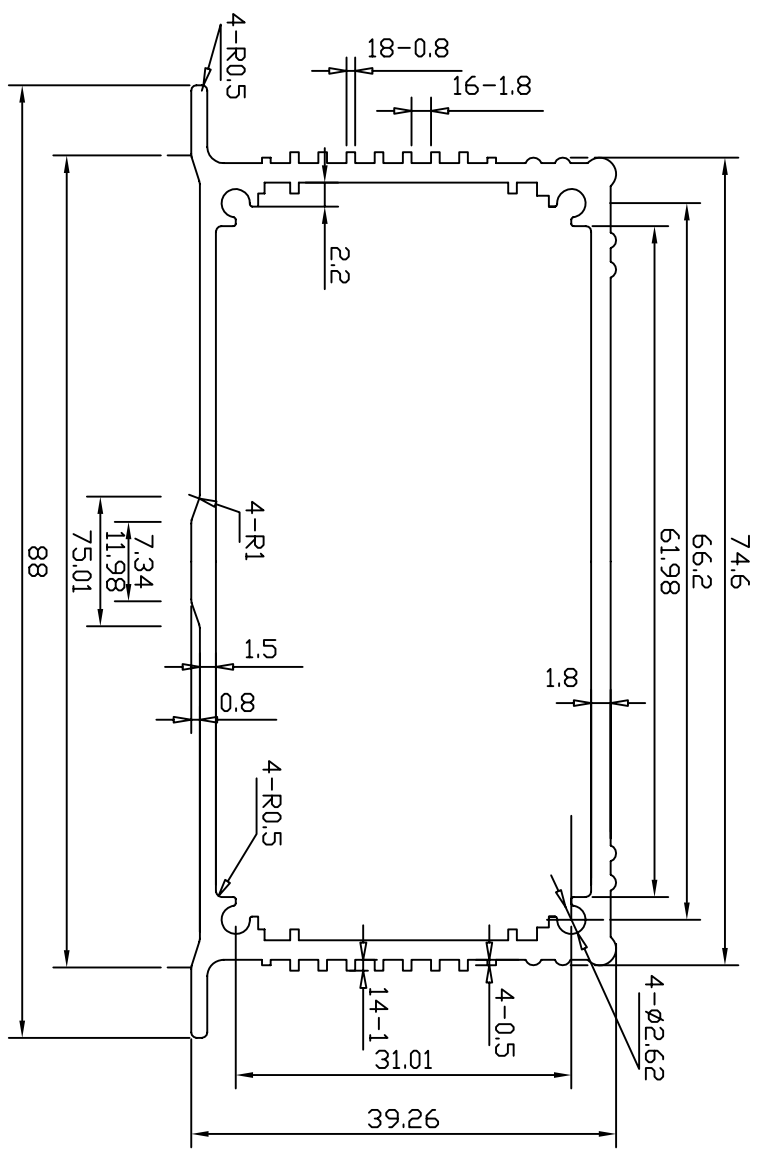


REVISION RECORD				
REV	ECN	DESCRIPTION	DRFT	CHKD



DETACHED LISTS		DATE	DATE	DATE	DATE
MM	0.0 ± 0.3	MM	DATE	MM	DATE
MM	0.00 ± 0.02	MM	DATE	MM	DATE
MM	0.00 ± 0.1	MM	DATE	MM	DATE
ANGLES ± 5°	±	APPVL	DATE	DATE	DATE
FINISH:	AL	MATERIAL:	AL	QTY:	1
THIRD ANGLE PROJECTION	SCALE: 1:1	FINISH:	AL	QTY:	1
DRAWING NO. AEH067		DRAWING NO. AEH067		SIZE	REV
/PART NO. 00		/PART NO. 00		A4	
DID NOT SCALE DRAWING		DID NOT SCALE DRAWING		SHEET 1	OF 1

埃弗勒斯
EVEREST
WWW.EVERESTCASE.COM

TITLE
AEH067