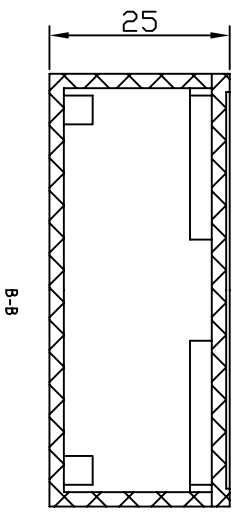
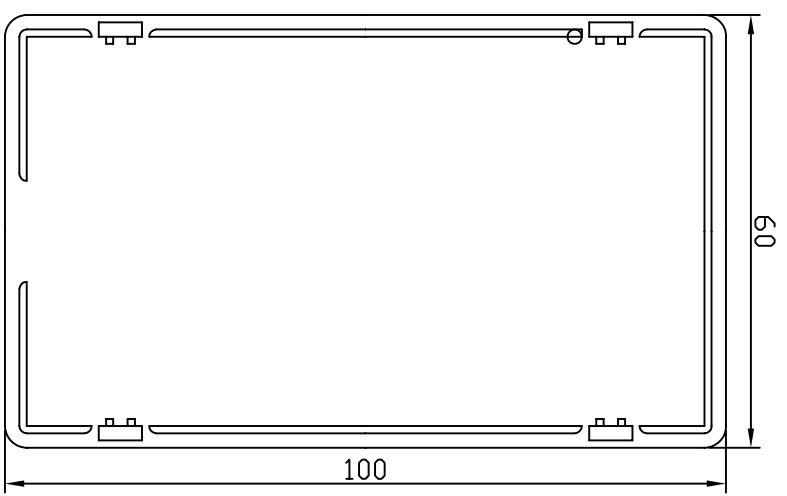
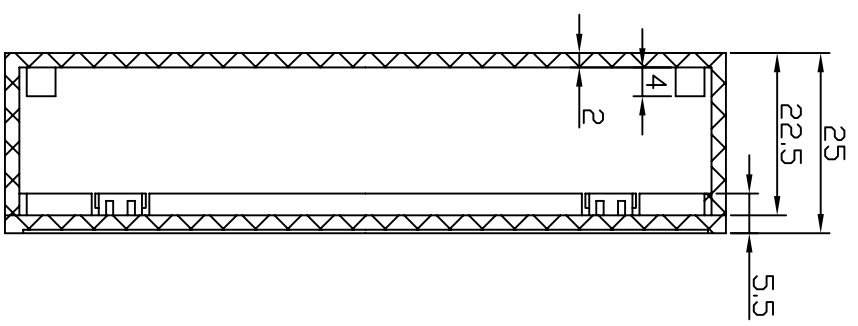
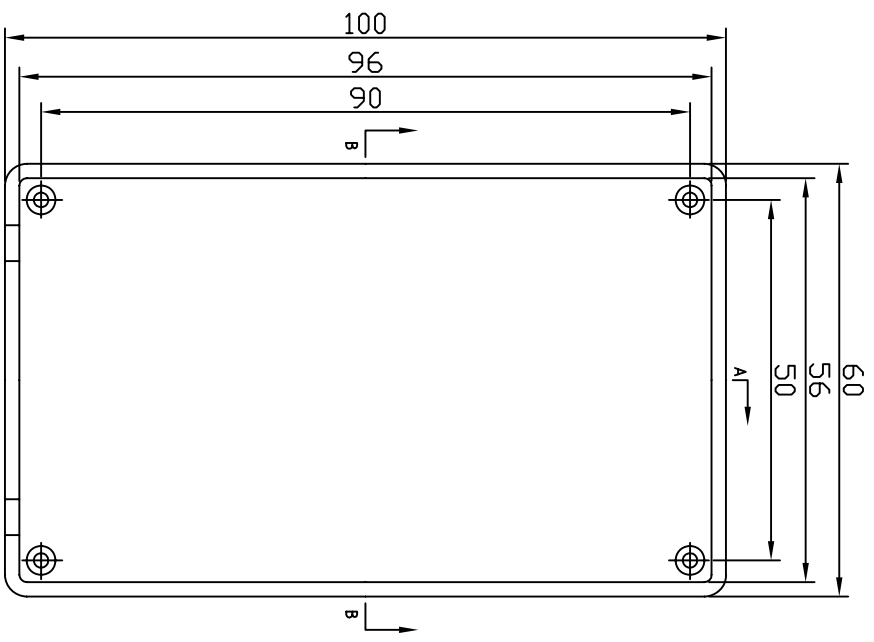


REVISION RECORD				
REV	ECO	DESCRIPTION	DRFT	CHKD



DETACHED LISTS		TOLERANCES EXCEPT AS NOTED		DRAFT		DATE		TITLE	
MM	±	0 ± 0.3	±	DRFT	DATE	CHKD	DATE	埃弗勒斯 EVEREST WWW.EVERESTCASE.COM	PC001
MM	±	.00 ± 0.02	±	APPVL	DATE	MFD	DATE		
MM	±	0.00 ± 0.01	±	DATE	DATE	DATE	DATE		
ANGLES ± 5°		±		MATERIAL: ABS		QTY: 1		DRAWING NO. PC001	
THIRD ANGLE PROJECTION		SCALE: 1:1		FINISH:		/PART NO. 00		SIZE: A4	
								REV:	
								SHEET 1 OF 1	