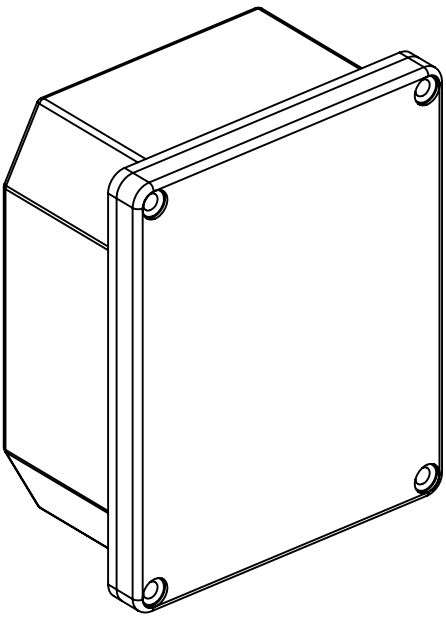
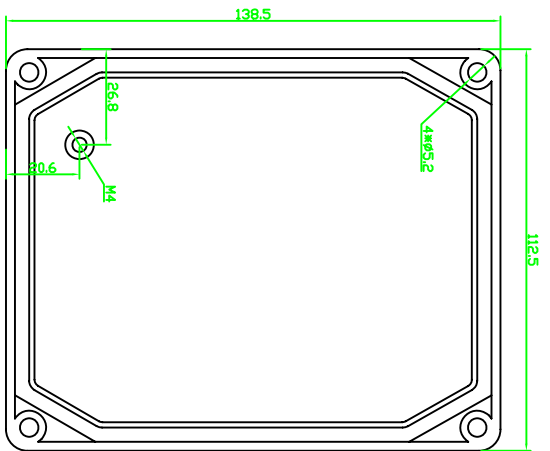
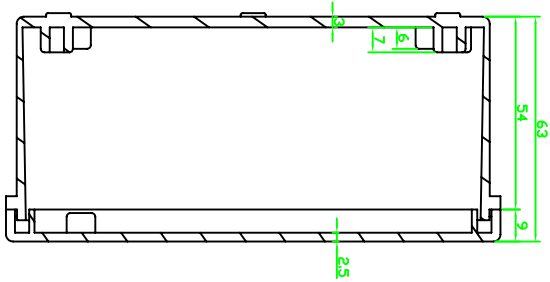
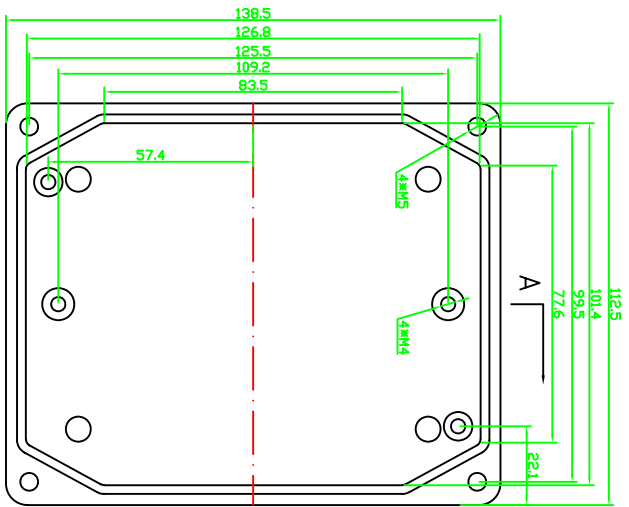


REVISION RECORD				
REV	ECD	DESCRIPTION	DRFT	CHKD



DETACHED LISTS		DATE	DATE	DATE	DATE
MM	INCHES	MM	INCHES	MM	INCHES
TOLERANCES EXCEPT AS NOTED					
MM	± 0.3	±	±	±	±
MM	± 0.2	±	±	±	±
MM	± 0.1	±	±	±	±
ANGLES ± 5°		DATE	DATE	DATE	DATE
FIRST ANGLE PROJECTION		DRFT	DATE	DATE	DATE
		CHKD	DATE	DATE	DATE
		MFD	DATE	DATE	DATE
		APPLY	DATE	DATE	DATE
MATERIAL: AL		TITLE			
QTY: 1		DRAWING NO. AW061			
FINISH:		/PART NO. 00			
SCALE: 1:1		DD NOT SCALE DRAWING			
		SHEET 1		OF 1	

埃弗勒斯
EVEREST
WWW.EVERESTCASE.COM

AW061

SIZE
A4

REV