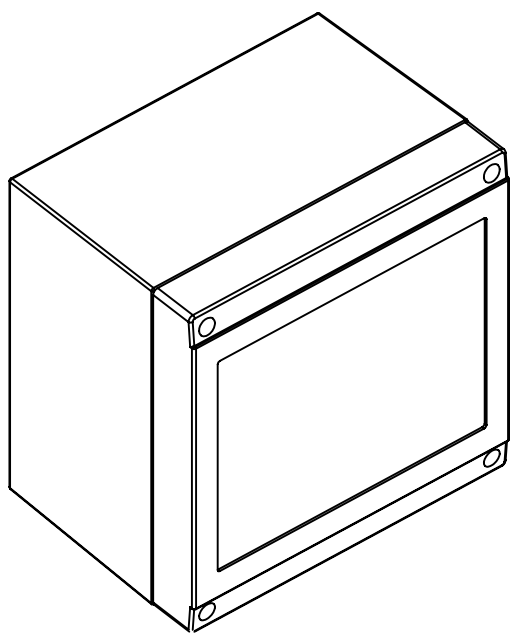
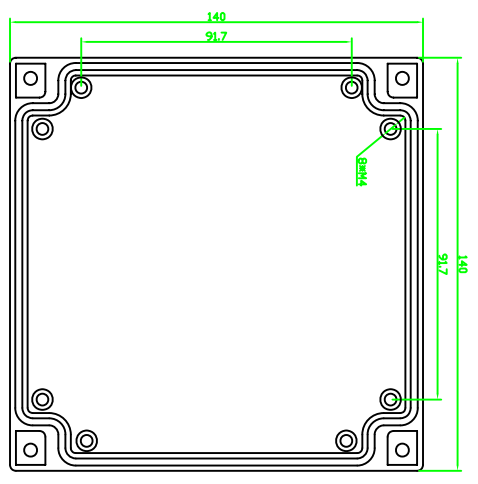
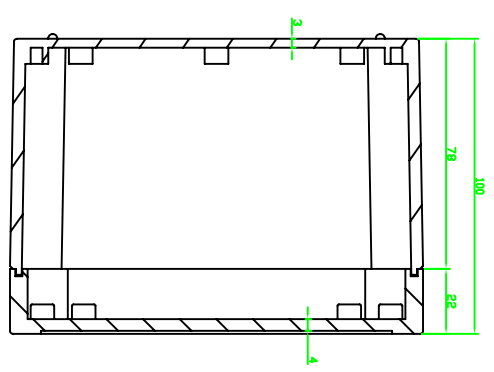
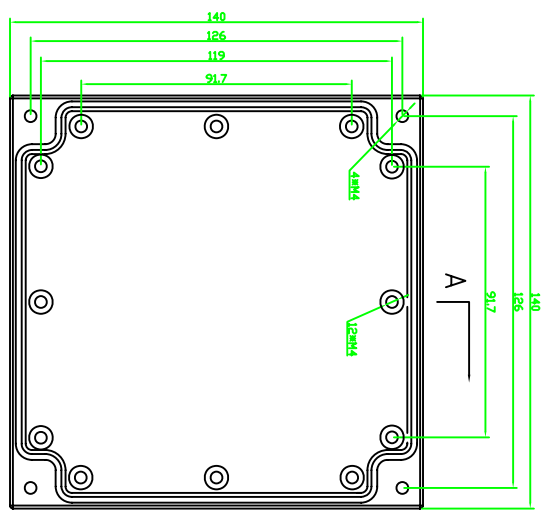


REVISION RECORD				
REV	ECD	DESCRIPTION	DWGT	CHKD



DETACHED LISTS																	
<table border="1"> <tr> <td>MM</td> <td>(INCH)</td> <td>MM</td> <td>(INCH)</td> </tr> <tr> <td>0.1 ± 0.3</td> <td></td> <td>±</td> <td></td> </tr> <tr> <td>0.05 ± 0.2</td> <td></td> <td>±</td> <td></td> </tr> <tr> <td>0.00 ± 0.1</td> <td></td> <td>±</td> <td></td> </tr> </table>	MM	(INCH)	MM	(INCH)	0.1 ± 0.3		±		0.05 ± 0.2		±		0.00 ± 0.1		±		TOLERANCES EXCEPT AS NOTED ANGLES ± 5° FIRST ANGLE PROJECTION
MM	(INCH)	MM	(INCH)														
0.1 ± 0.3		±															
0.05 ± 0.2		±															
0.00 ± 0.1		±															
<table border="1"> <tr> <td>DRFTD</td> <td>DATE</td> <td>DRFTD</td> <td>DATE</td> </tr> <tr> <td>CHKD</td> <td>DATE</td> <td>CHKD</td> <td>DATE</td> </tr> <tr> <td>MFD</td> <td>DATE</td> <td>MFD</td> <td>DATE</td> </tr> <tr> <td>APPVL</td> <td>DATE</td> <td>APPVL</td> <td>DATE</td> </tr> </table>	DRFTD	DATE	DRFTD	DATE	CHKD	DATE	CHKD	DATE	MFD	DATE	MFD	DATE	APPVL	DATE	APPVL	DATE	MATERIAL : AL QTY : 1 FINISH : SCALE : 1:1
DRFTD	DATE	DRFTD	DATE														
CHKD	DATE	CHKD	DATE														
MFD	DATE	MFD	DATE														
APPVL	DATE	APPVL	DATE														
TITLE 埃弗勒斯 EVEREST www.EVERESTCASE.COM																	
DRAWING NO. AW044 /PART NO. 00 DD NOT SCALE DRAWING																	
SIZE	REV																
A4																	
SHEET 1 OF 1																	