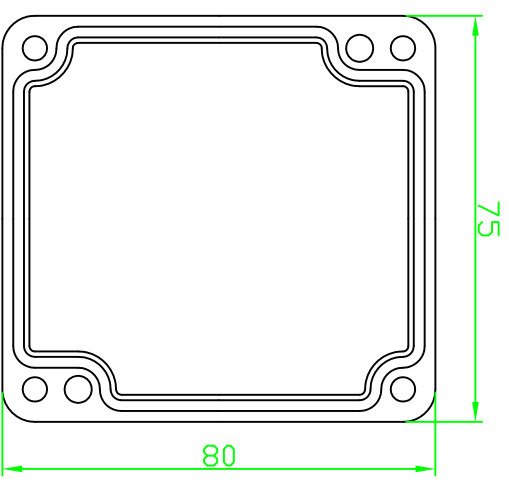
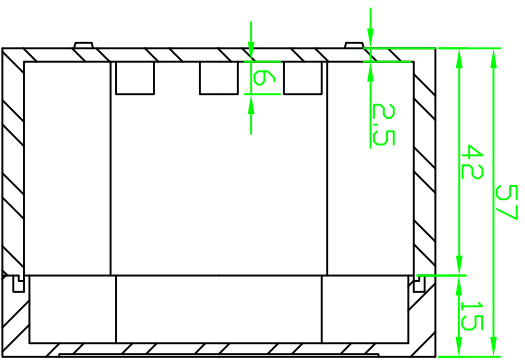
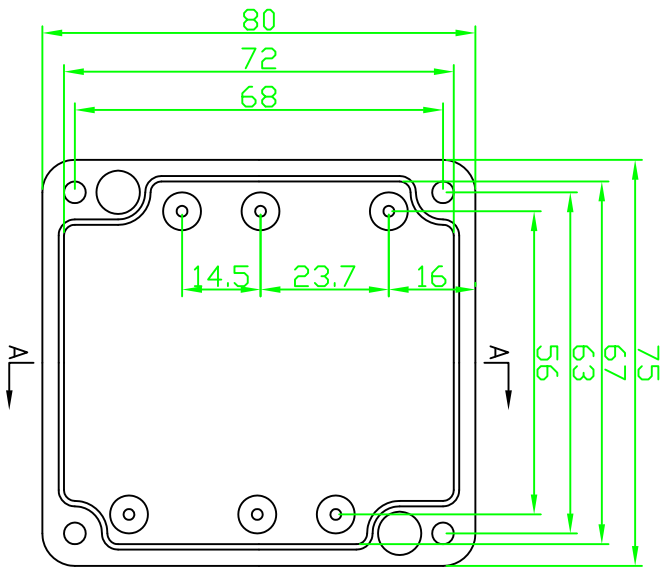


REVISION RECORD				
REV	ECD	DESCRIPTION	DRFT	CHKD



DETACHED LISTS		DATE	DATE
MM	MM	DATE	DATE
0.1 ± 0.3	±	DATE	DATE
0.00 ± 0.02	±	DATE	DATE
0.00 ± 0.01	±	DATE	DATE
ANGLES ± 5°		DATE	
FINISH:		DATE	
SCALE: 1:1		DATE	
MATERIAL: AL		DATE	
QTY: 1		DATE	
DRAWING NO. AW002		DATE	
/PART NO. 00		DATE	
DD NOT SCALE DRAWING		DATE	

埃弗勒斯
EVEREST
WWW.EVERESTCASE.COM

TITLE
AW002