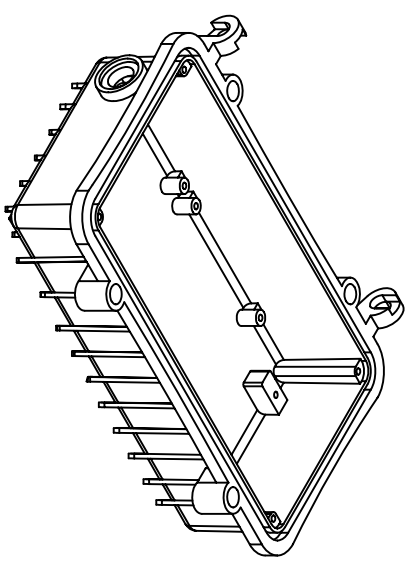
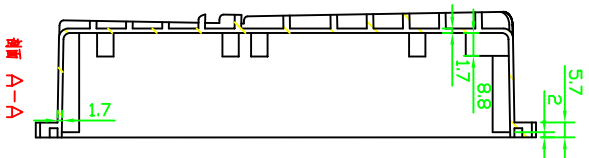
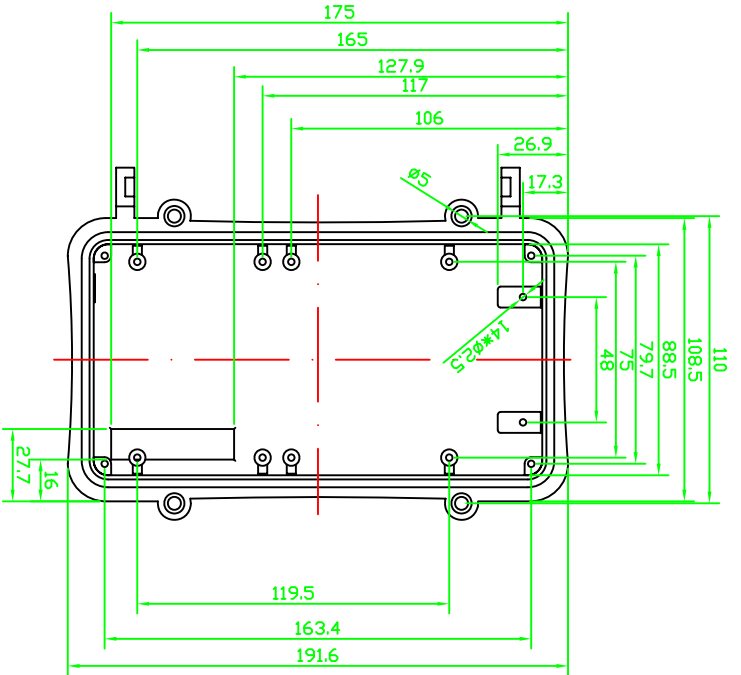
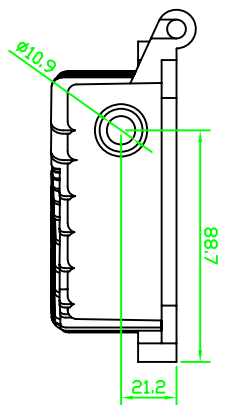


REVISION RECORD			
REV	ECD	DESCRIPTION	DRFT
			CHKD

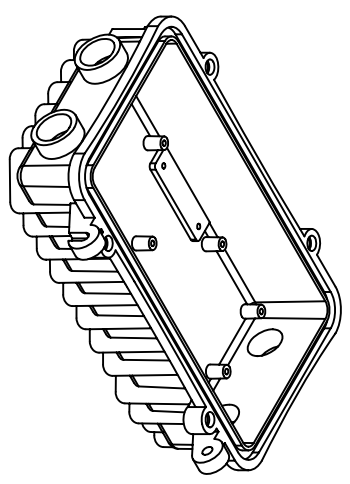
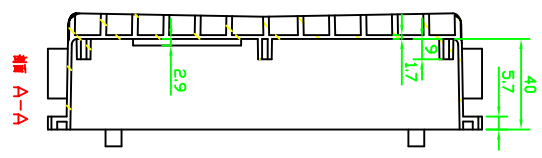
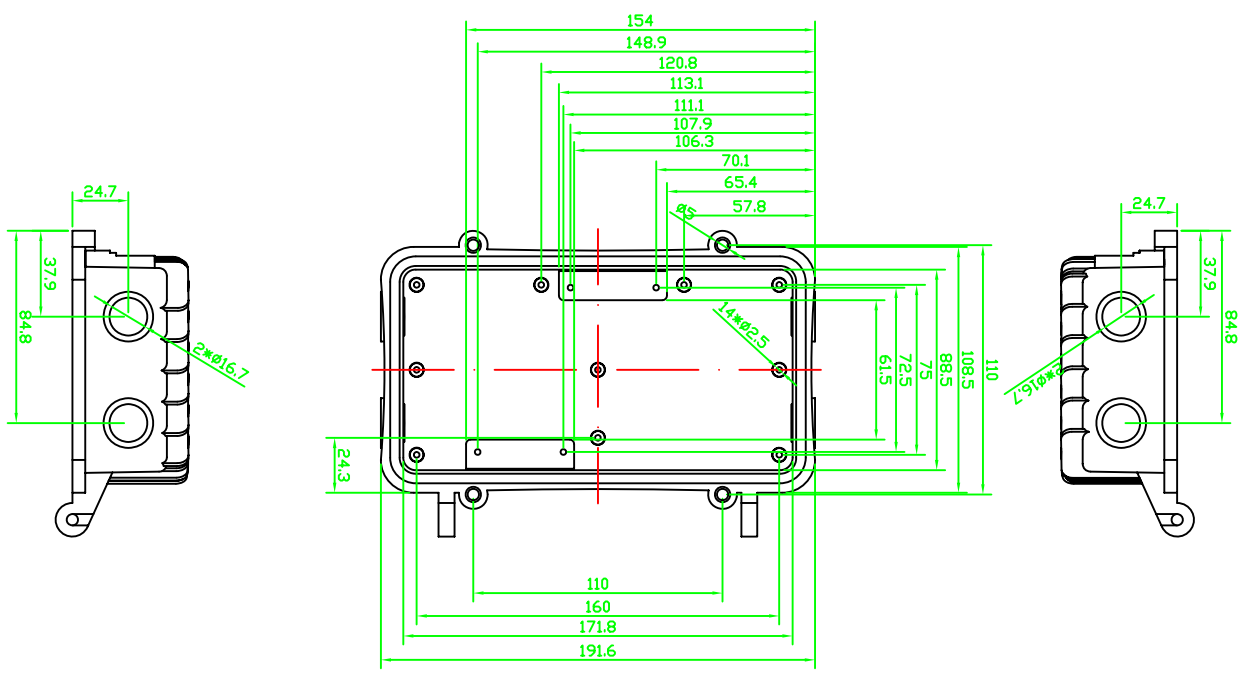


DETACHED LISTS		TOLERANCES EXCEPT AS NOTED		DATE	DATE	DATE	DATE	DATE	DATE
MM	±	MM	±	DATE	DATE	DATE	DATE	DATE	DATE
0.1 ± 0.03	±	0.05 ± 0.02	±						
0.05 ± 0.01	±	0.05 ± 0.01	±						
ANGLES ± 5°		FINISH:		MATERIAL: AL		QTY: 1		TITLE	
FIRST ANGLE PROJECTION		SCALE: 1:3		DRAWING NO: AAP024		/PART NO: 00		SIZE: A4	
				DD NOT SCALE DRAWING				SHEET 1 OF 1	

埃弗勒斯
EVEREST
WWW.EVERESTCASE.COM

AAP024

REVISION RECORD				
REV	ECD	DESCRIPTION	DRFT	CHKD



DETACHED LISTS		TOLERANCES EXCEPT AS NOTED		MATERIAL		TITLE	
MM	(INCH)	± 0.03	±	AL	AAP024		EVEREST
± 0.02		±			AAP024		www.EVERESTCASE.COM
± 0.01		±			AAP024		
ANGLES ± 5°		FINISH:		DRAWING NO. AAP024		SIZE	REV
FIRST ANGLE PROJECTION		SCALE: 1:3		/PART NO. 00		A4	
				DID NOT SCALE DRAWING		SHEET 1	OF 1