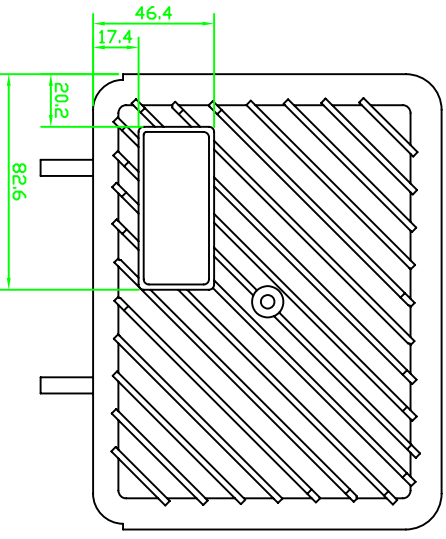
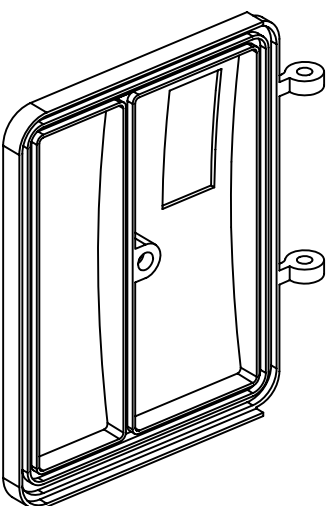
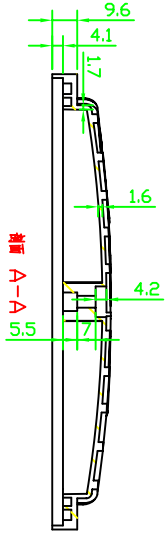
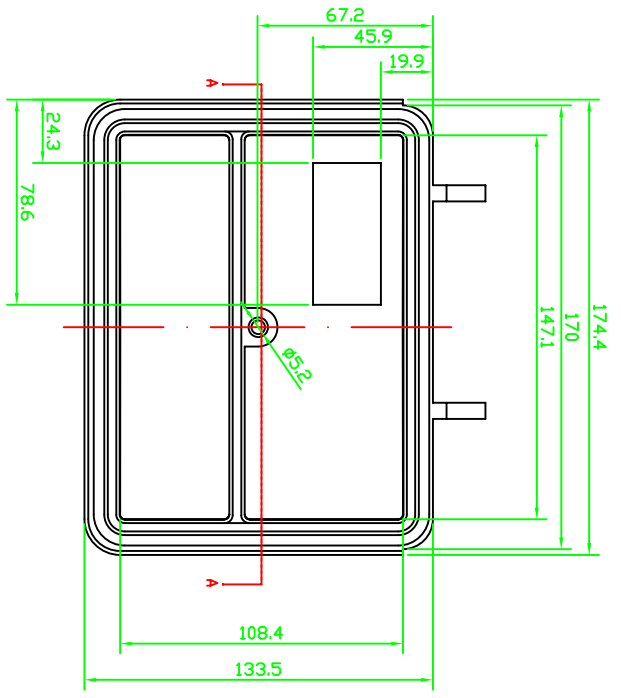


REVISION RECORD				
REV	ECD	DESCRIPTION	DRFT	CHKD



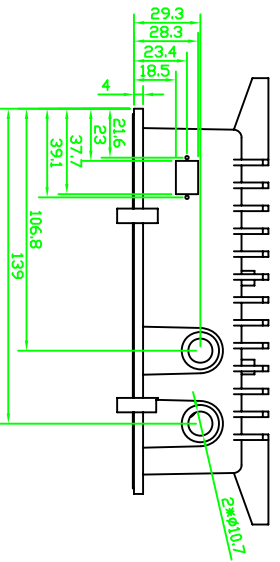
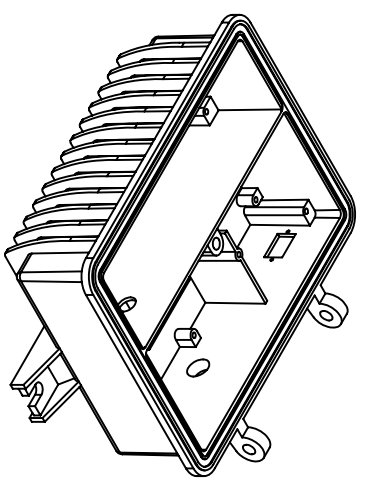
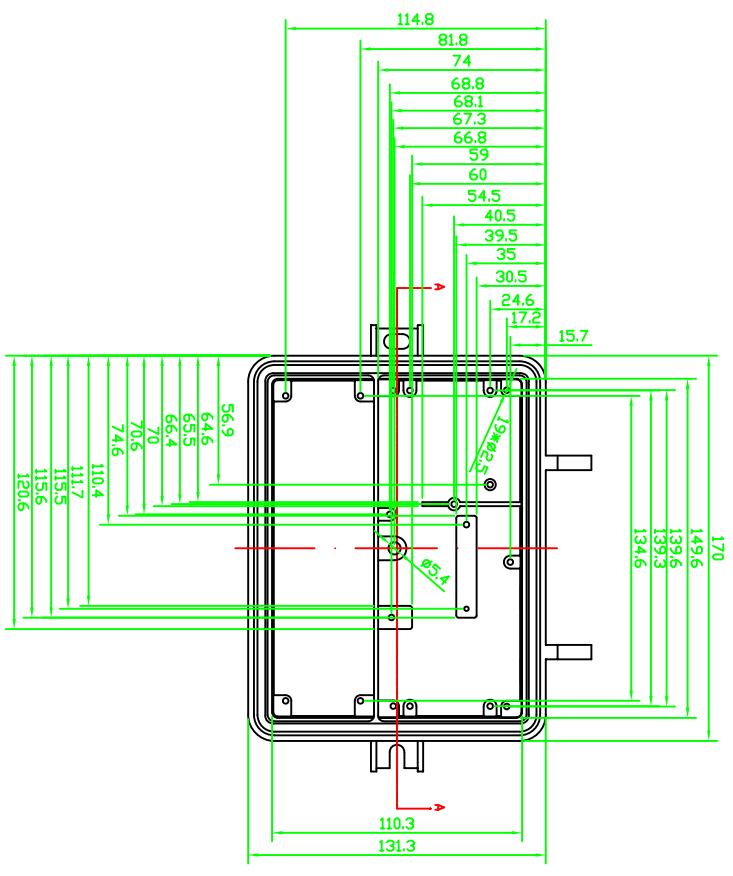
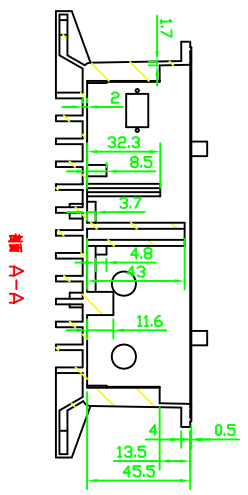
DETACHED LISTS			
 FIRST ANGLE PROJECTION	ANGLES ± 5°	TOLERANCES EXCEPT AS NOTED MM .1 ± 0.3 .00 ± 0.2 .000 ± 0.1	DIM (INCH) ±
FINISH:	QTY: 1	MATERIAL: AL	DATE
SCALE: 1:3	DATE	DATE	DATE
DD NOT SCALE DRAWING	DATE	DATE	DATE
SHEET 1 OF 1	DATE	DATE	DATE

EVEREST
 WWW.EVERESTCASE.COM

TITLE
AAP021

DRAWING NO. AAP021
 /PART NO. 00
 SIZE A4
 REV

REVISION RECORD			
REV	ECD	DESCRIPTION	DRFT



DETACHED LISTS			
 FIRST ANGLE PROJECTION	TOLERANCES EXCEPT AS NOTED MM 0 ± 0.3 .00 ± 0.2 0.00 ± 0.1	ANGLE ± 5° ± ±	DRFTD DATE CHKD DATE MFD DATE APPVL DATE
MATERIAL: AL QTY: 1	FINISH:	TITLE AAP021	EVEREST WWW.EVERESTCASE.COM
SCALE: 1:3	DD NOT SCALE DRAWING	DRAWING NO: AAP021 /PART NO: 00	SIZE: A4 REV:
SHEET 1 OF 1	SHEET 1 OF 1	SHEET 1 OF 1	SHEET 1 OF 1